

Lighting food. Brightening faces.

Philips Affinium LED display modules for commercial glass-door freezer and cooler cabinets

Affinium LED display modules are designed to replace traditional fluorescent lamps in professional glass-door freezers and coolers. The operating costs for these cabinets are substantial. The Affinium LED display modules are designed to enable considerable savings to be made on energy.

The optics in the modules direct the light in such a way as to enhance the visual appearance of the products on display. The modules incorporate state-of-the-art LED technology and are operated by a separate Philips LED power driver.

Introduction

Contents	
Introduction	3
Affinium LED display module system - general specification	5
Full-height glass-door freezers and coolers - equipped with Affinium LED display module LDM 400	7
Half-height glass-door freezer and coolers with under-well-equipped with Affinium LED display module LDM 410 and 424.	10
Mounting profiles	14
Ordering details	16
Packaging details	19

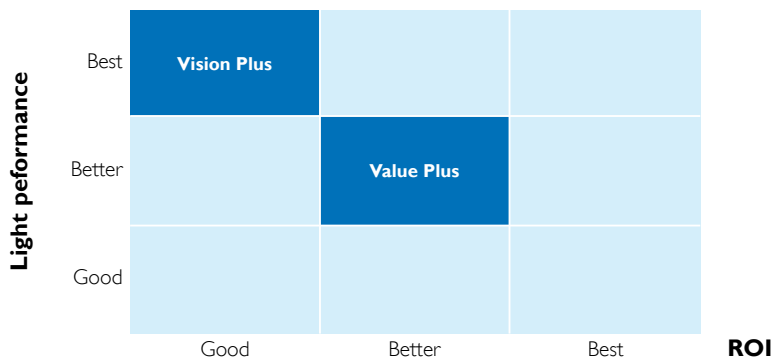
In this leaflet we describe the products we have developed to provide lighting in full-height or half-height glass-door freezers or coolers with an open well below. The product range consists of a variety of Affinium LED modules, the Philips LED power driver and driver mounting profiles. The LED module range detailed in this leaflet includes three different versions:

- For vertical full-height glass-door cabinets: Affinium LDM 400
- For vertical half-height glass-door cabinets: Affinium LDM 410
- For the under-well of the vertical half-height cabinet and islands: Affinium LDM 424

There is also an LDM 421 specifically for under-canopy lighting. Please ask your Philips agent for further information.

Vision Plus and Value Plus

There is a choice of two different lighting versions. The appropriate type will depend on your overall store image. Vision Plus is most suitable if brighter lighting is required, whilst Value Plus is ideal for regular lighting levels. This feature is integrated as standard in the LDM 400. It is available upon request for other modules.



Benefits for end users

- Excellent Total Cost of Ownership with attractive payback times.
- A much better visual impression of both the merchandise on display and the entire freezer or reach-in case
- Significantly improved sustainability due to lower energy consumption, reduced waste and elimination of hazardous
- Substances such as mercury and lead

Benefits for cabinet manufacturers and door frame manufacturers

- Optimized lighting performance to specifics of cabinets and doors
- Aesthetic integration of lamps into cabinets and door frames
- Completely hidden wiring
- Reduced cabinet depth and increased storage space
- No need to drill holes during installation

Energy savings

The LDM 400 range provides significant energy savings - 70% compared to a traditional fluorescent lamp (58W). The estimated annual energy saving per cabinet can be compared to the electricity bill of 6 months of an average household. This equates to more than 1 ton of CO₂ per cabinet.

What's new in June 2010?

The LDM 4xx range succeeds the current LFM 3xx range and offers additional advantages:

- 1 New mounting system
- 2 Range extended with Value Plus and Vision Plus modules
- 3 Broader application area incorporating both freezer and cooler applications
- 4 Further energy savings thanks to state-of-the-art LED technology
- 5 Prepared for dimming

Flexibility

The LDM 400 range offers four choices of light levels (Vision-Plus center and side/Value-Plus center and side). In addition, the complete portfolio, including color temperatures (CW: 5600 K and NW: 4100 K) and different lengths, should provide a high level of flexibility and will address most existing and future specification challenges.

Superb optical features

The optical function is the heart of the LED lighting system. Philips has a long history of optical design and has acquired a broad range of expertise in designing optimal light distribution in the application. LDM 400 provides superb light distribution, uniform and seamless across the display.

Reliability

The LDM 400 range complies with most recognized safety requirements and the quality of performance in the application is guaranteed. The LDM 400 range comes with a 5-year performance warranty in the system in combination with an LED Power Driver. This ensures a high level of customer satisfaction together with low service call rates. For more information about our warranty, contact your local Philips sales office.

Applications

Ideal for commercial glass-door freezers and coolers with an open well below.

Affinium LED display module system - general specification

Lifetime

The lifetime of the modules is rated at 50,000 hours (70% lumen maintenance).

Temperature

- Operating temperature (performance) Toperating min -30°C / max +10°C
- Safety temperature (operating, no defects) Tsafety min -30°C / max +30°C
- Storage temperature Tstorage min -30°C / max +60°C

Housing color

Aluminum

Color temperature

Affinium LED display modules cool white CW have a correlated color temperature of 5600 ± 650 K. The neutral white NW have a correlated color temperature of 4100 ± 350 K. The optical design of Philips Affinium LED display modules ensures that adjacent LEDs in one module are optimally mixed in order to minimize color differences.

Enhanced safety

Due to the use of Safety Extra Low Voltage (SELV) operating voltages, safety is ensured even if wiring or units become damaged (only applies if a SELV rated power supply is used).

Installation

Philips Affinium LED display modules, power drivers and accessories must be installed by a professional electrician in accordance with the relevant electrical codes. Please note that the drivers are not designed for independent operation and should therefore be built in. Once the module has been properly installed, there is no need for any maintenance by store personnel apart from occasional cleaning.

Further installation details can be found in the "Installation guide for Philips Affinium LED display modules".

Compliance and approval

Philips Affinium LED display modules comply with all the applicable legislation, such as RoHS (Restriction of Hazardous Substances) and WEEE (Waste Electrical and Electronic Equipment). This means all components used are lead-free and soldered in a lead-free soldering process (EU directive 2002/95/EC).

- ENEC
- CE
- Product safety, class III
- RoHS compliant
- WEEE
- EU directive 2002/95/EC

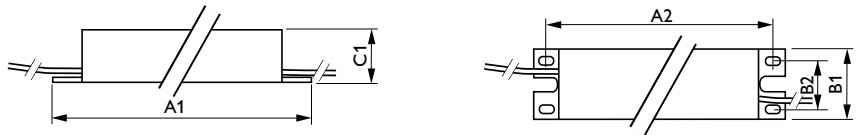


LED power driver 100W, 24VDC

Power supply: Philips LED power driver

Philips Affinium LED display modules are only suitable for connection to a circuit from a class 2 power source with a limited energy supply. We have developed a LED power driver which is ideal for powering the Affinium LED display modules. To allow for variance in the installation, we recommend you do not load the power driver beyond 80% of its rated maximum power. Over the following pages you will find our recommendations with regard to the number of drivers needed per type of freezer and cooler. Please refer to the wiring diagram in the installation guide for more details.

LED power driver	Dimensions (mm)				
	A1	A3	B1	B2	C1
LED power driver 100 W-24V	241.3	228.6	43.1	26.6	30.0



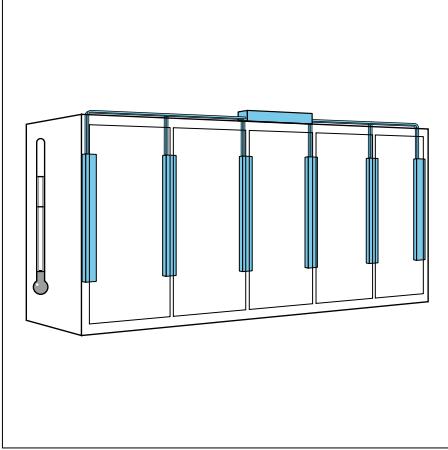
Mounting profiles with options for glare shielding

Our new mounting profiles make it easy to install the modules. Thanks to the 'click-in' feature, the installation time is shortened considerably. The glare-free mounting profiles reduce glare to a minimum, whilst the 'normal' profiles can be used in cases where it does not matter if the LEDs are visible or where they are required to be visible to create a sparkling effect.

Customized versions of LDM modules

If you require a specific length or any other custom feature, please contact your local Philips agent.

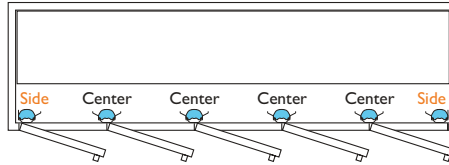
Full-height glass-door freezers and coolers - equipped with Affinium LED display module LDM 400



The Affinium LDM 400 is available in lengths of 1500 mm and 1700 mm. A 1200 mm length is available on request. Each size is available in two versions:

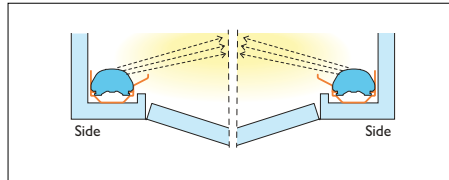
- a center module
- a side module

Example of modules placed in a five door freezer (top view)

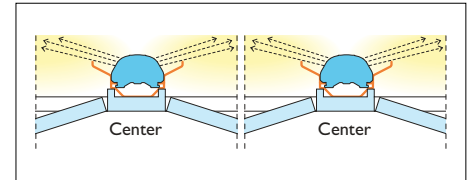


Correct installation?

Verification of the installation can be done by checking the light distribution.



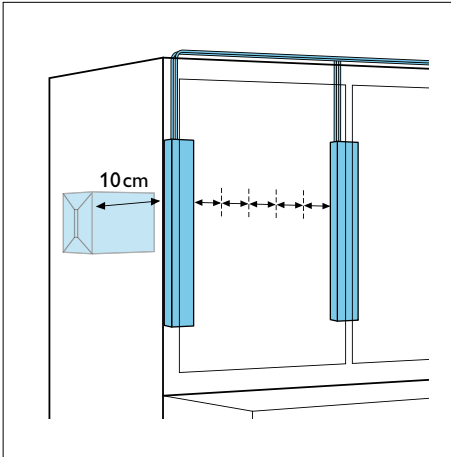
Light distribution of side modules



Light distribution of center modules

Lighting levels and energy savings

We supply the Affinium LED display modules with a typical lux level of 1100 lux for Vision Plus and 750 lux for Value Plus (excluding ambient lighting level). The two main factors influencing the lux level are the ambient lighting in the store and the type of cabinet. Value Plus Affinium LED display modules can save up to 70% on energy compared with traditional fluorescent lighting. We will be happy to visit your store and propose the optimal solution for your needs. Based on this proposal we can then prepare a test set-up in order to measure the actual lux levels on the spot and calculate the potential savings.



Example of a measurement in a freezer

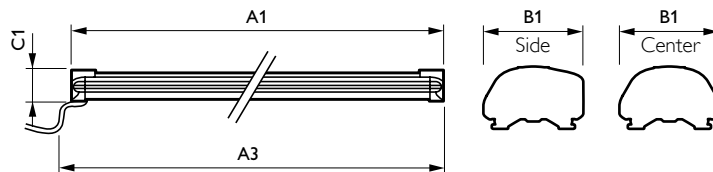
Measurement method

Using a CCD camera, we measure the lighting levels inside an operational freezer (-20°C) by taking the average of two modules installed at five evenly distributed horizontal positions in the center of the freezer, with a distance of 10 cm between the back of the module and the front of the merchandise.

The values for nominal power and lighting levels can vary. Further information about the measuring method is available from your local Philips sales office.

Dimensions

Affinium LED display modules LDM400	Dimensions (mm)			
	A1	A3	B1	C1
LDM400 1500mm (59") center	1500	1510	34	22
LDM400 1500mm (59") side	1500	1510	34	22
LDM400 1700mm (67") center	1700	1710	34	22
LDM400 1700mm (67") side	1700	1710	34	22



Lighting characteristics

Affinium LED display modules Vision Plus LDM 400

Vision Plus	Light color	Color temperature K	Power nominal W	Color rendering index (typical) CRI
1500 mm length				
Vision Plus LDM400 1500mm (59") center CW	Cool White	5700 (±600)	30	80
Vision Plus LDM400 1500mm (59") side CW	Cool White	5700 (±600)	21	80
Vision Plus LDM400 1500mm (59") center NW	Neutral White	4100 (±400)	30	75
Vision Plus LDM400 1500mm (59") side NW	Neutral White	4100 (±400)	23	75
1700 mm length				
Vision Plus LDM400 1700mm (67") center CW	Cool White	5700 (±600)	31	80
Vision Plus LDM400 1700mm (67") side CW	Cool White	5700 (±600)	25	80
Vision Plus LDM400 1700mm (67") center NW	Neutral White	4100 (±400)	36	75
Vision Plus LDM400 1700mm (67") side NW	Neutral White	4100 (±400)	27	75

Affinium LED display modules Value Plus LDM 400

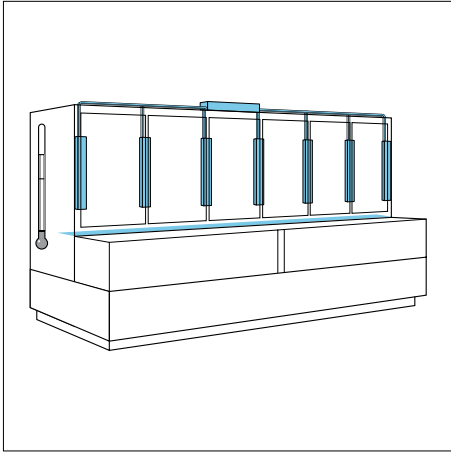
Value Plus	Light color	Color temperature K	Power nominal W	Color rendering index (typical) CRI
1500 mm length				
Value Plus LDM400 1500mm (59") center CW	Cool White	5700 (±600)	18	70
Value Plus LDM400 1500mm (59") side CW	Cool White	5700 (±600)	13	70
Value Plus LDM400 1500mm (59") center NW	Neutral White	4100 (±400)	20	75
Value Plus LDM400 1500mm (59") side NW	Neutral White	4100 (±400)	15	75
1700 mm length				
Value Plus LDM400 1700mm (67") center CW	Cool White	5700 (±600)	20	70
Value Plus LDM400 1700mm (67") side CW	Cool White	5700 (±600)	14	70
Value Plus LDM400 1700mm (67") center NW	Neutral White	4100 (±400)	24	75
Value Plus LDM400 1700mm (67") side NW	Neutral White	4100 (±400)	18	75

Number of Philips LED power drivers 100 W 24VDC needed for full height glass-door cabinets

Vision Plus	Light color	Quantity of drivers	Number of doors				
			2	3	4	5	6
Affinium Vision plus LDM 400			2	3	4	5	6
Vision Plus 1500mm 59" (21 and 30 W)	Cool white		1	2	2	2	3
Vision Plus 1500mm 59" (23 and 30 W)	Neutral white		1	2	2	3	3
Vision Plus 1700mm 67" (25 and 31 W)	Cool white		2	2	2	3	3
Vision Plus 1700mm 67" (27 and 36 W)	Neutral white		2	2	3	3	3

Value Plus	Light color	Quantity of drivers	Number of doors				
			2	3	4	5	6
Affinium Value plus LDM 400			2	3	4	5	6
Value Plus 1500mm 59" (13 and 18 W)	Cool white		1	1	1	2	2
Value Plus 1500mm 59" (13 and 20 W)	Neutral white		1	1	2	2	2
Value Plus 1700mm 67" (14 and 20 W)	Cool white		1	1	2	2	2
Value Plus 1700mm 67" (18 and 24 W)	Neutral white		1	1	2	2	2

Half-height glass-door freezer and coolers with under-well-equipped with Affinium LED display module LDM 410 and 424.



Affinium Value Plus LDM 410 for the half-height top cabinet

The LDM 410 range is installed in the top cabinet and is available in 600 and 750 mm.

The LDM 410 for the cabinet is available in two versions:

- a center module
- a side module

Lighting levels and energy savings

We supply the Value Plus Affinium LED display module with a lighting level that typically produces 750 lux (excluding ambient lighting level) when applied in half-height glass-door freezers.

Measurement method

For details about measurements see page 8

Lighting characteristics

Affinium LED display modules Value Plus LDM 410

Value Plus	Light color	Color temperature K	Power nominal W	Color rendering index (typical) CRI
600 mm length				
Value Plus LDM410 600mm (24") center CW	Cool White	5600 (±600)	6	70
Value Plus LDM410 600mm (24") side CW	Cool White	5600 (±600)	4	70
Value Plus LDM410 600mm (24") center NW	Neutral White	4100 (±400)	7	75
Value Plus LDM410 600mm (24") side NW	Neutral White	4100 (±400)	4	75
750 mm length				
Value Plus LDM410 750mm (30") center CW	Cool White	5600 (±600)	8	70
Value Plus LDM410 750mm (30") side CW	Cool White	5600 (±600)	4	70
Value Plus LDM410 750mm (30") center NW	Neutral White	4100 (±400)	9	75
Value Plus LDM410 750mm (30") side NW	Neutral White	4100 (±400)	4	75

Number of Philips LED power drivers 100W 24VDC needed for half-height glass-door cabinets

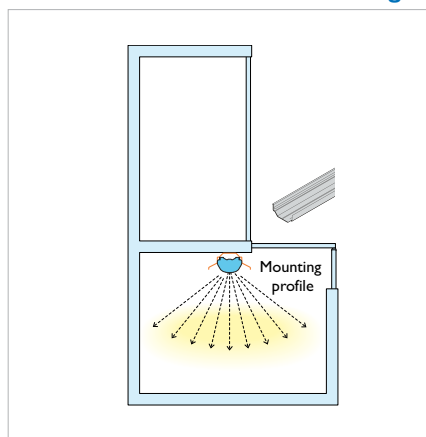
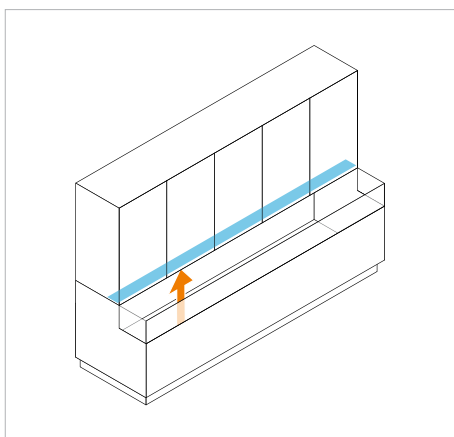
Value Plus		Number of doors				
Affinium Value Plus LDM 410		2	3	4	5	6
Value Plus 600mm 24" (4 & 7 W)	Quantity of drivers	1	1	1	1	1
Value Plus 750mm 30" (4 & 8 W)		1	1	1	1	1

Affinium ValuePlus LDM 424 for the under-well below the cabinet or for islands

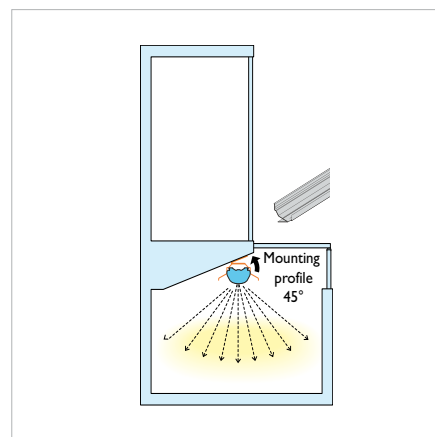
The LDM 424 is used in the open well below the cabinet and is available in 900 and 1150 mm. For inquiries about customized lengths, please contact your local sales office. An under-well is often placed below the top cabinet. The LDM 424 is the perfect solution (see examples below) both for these under-wells and for islands. These modules are available in lengths of 1150 mm and 900 mm.

A maximum of five Value Plus LDM 424 modules can be connected in series to one Philips LED power driver 100 W 24VDC.

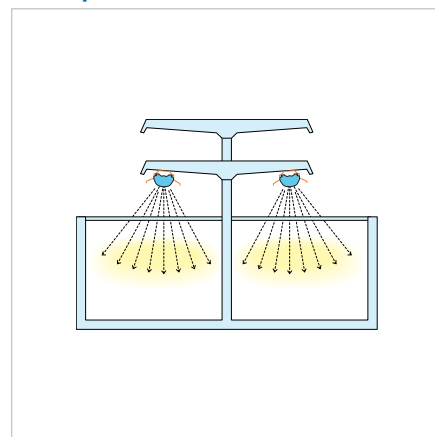
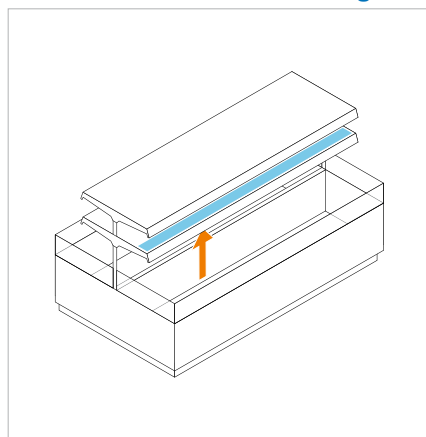
Installation under the cabinet to light frozen food in the under well



or



Installation under the shelf to light frozen food in open well

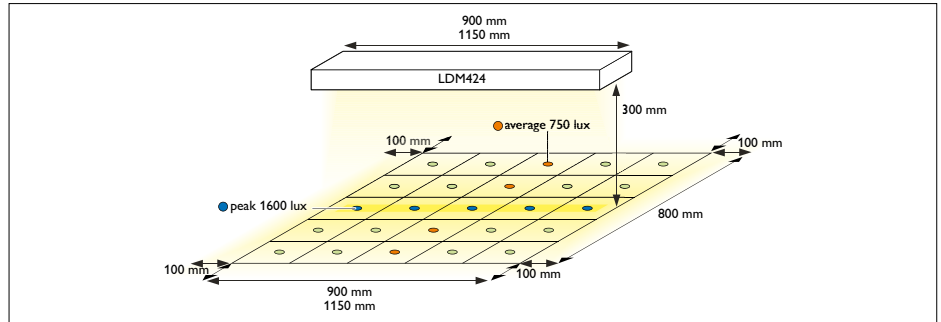


Lighting levels and energy savings

The Affinium LED display module has a typical lighting level of 750 lux when applied in half-height glass-door freezers.

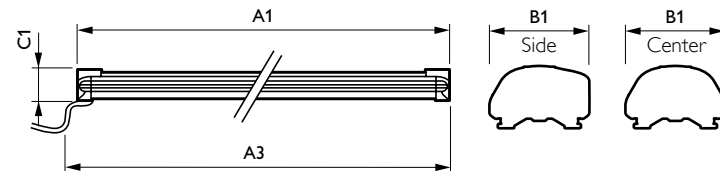
Measuring lighting levels

The average lighting level is 750 lux. The peak lighting level is 1600 lux. Values for nominal power and lighting levels can vary by 20%, measured at 15 °C without ambient lighting. Lux values are defined in a grid of 5x5 points. The average illuminance of a module is defined as the average of the lux values on row 3. The illuminated area is 800 mm wide and the nominal LFM distance is 300 mm. Due to insufficient data points the values are best estimations. Further information about the measuring method is available at your local Philips Sales office.



Example of a measurement in an open well cooler

Affinium Value Plus LED display modules LDM 410	Dimensions (mm)			
	A1	A3	B1	C1
Value Plus LDM410 600mm (24") center	600	610	34	22
Value Plus LDM410 600mm (24") side	600	610	34	22
Value Plus LDM410 750mm (30") center	750	760	34	22
Value Plus LDM410 750mm (30") side	750	760	34	22



Lighting characteristics

Value Plus	Light color	Color temperature K	Power nominal W	Color rendering index (typical) CRI
900 mm length				
Value Plus LDM424 900mm (35") CW	cool white	5700 (±600)	10	70
Value Plus LDM424 900mm (35") NW	neutral white	4100 (±400)	10	75
1150 mm length				
Value Plus LDM424 1150mm (45") CW	cool white	5700 (±600)	12	70
Value Plus LDM424 1150mm (45") NW	neutral white	4100 (±400)	12	75

Number of Affinium LDM 424 modules on a Philips LED power driver 100W 24VDC for under-well or island cabinets

Affinium LDM 424	Max. number of modules in series on one Philips LED power driver 100W 24VDC
900 and 1150 mm	5

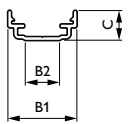
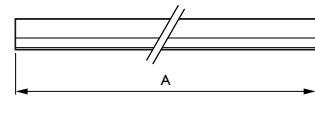
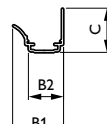
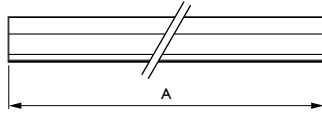
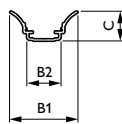
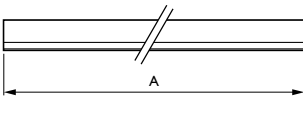
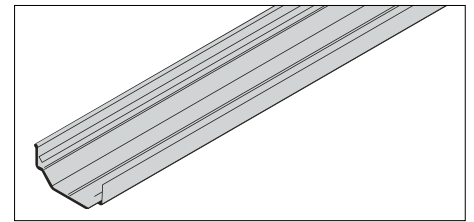
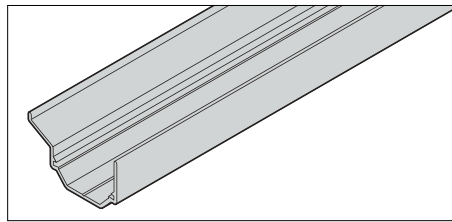
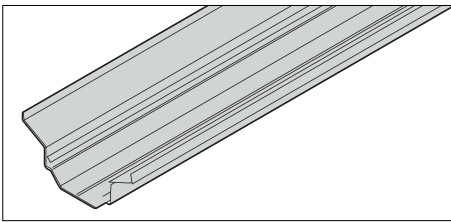
Mounting profiles

Mounting profiles for LDM 400 and 410

To ensure easy installation we supply mounting profiles that can be used to fix the modules in the mullions.

Mounting profiles are available in three versions:

- Glare-free mounting profile for LDM 400 and 410 center module
- Glare-free mounting profile for LDM 400 and 410 side module
- Mounting profile for LDM424 and optional for 400 & 410



Glare-free mounting profile center

Glare-free mounting profile side

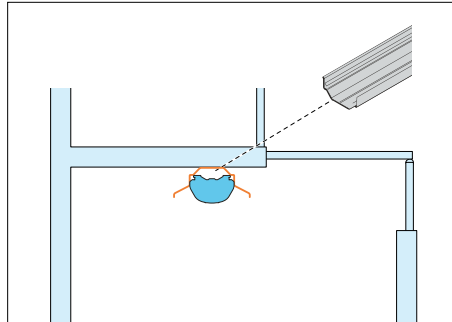
Mounting profile

LDM 400 & 410 Mounting profiles	Dimensions (mm)			
	A	B1	B2	C
600 mm length				
Glare-free mounting profile center (CTR) 600mm	560	55	18	23
Glare-free mounting profile side (SD) 600mm	560	44	18	39
Mounting profile 600mm	600	44	18	13
750 mm length				
Glare-free mounting profile center (CTR) 750mm	710	55	18	23
Glare-free mounting profile side (SD) 750mm	710	44	18	39
Mounting profile 750mm	710	44	18	13
1500 mm length				
Glare-free mounting profile center (CTR) 1500mm	1460	55	18	23
Glare-free mounting profile side (SD) 1500mm	1460	44	18	39
Mounting profile 1500mm	1460	44	18	13
1700 mm length				
Glare-free mounting profile center (CTR) 1700mm	1660	55	18	23
Glare-free mounting profile side (SD) 1700mm	1660	44	18	39
Mounting profile 1700mm	1660	44	18	13

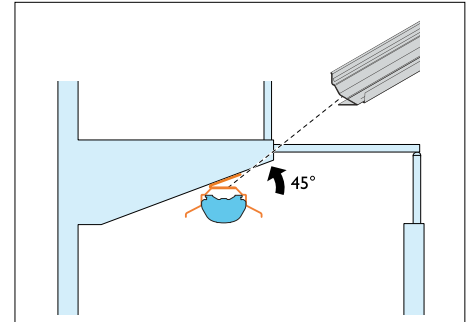
Mounting profiles for LDM 424

There are two versions available:

- Mounting profile to be fixed on a straight shelf
- Mounting profile to be fixed on a shelf with a 45° angle, ensuring the good light distribution



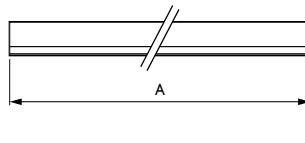
Mounting profile for LDM 424



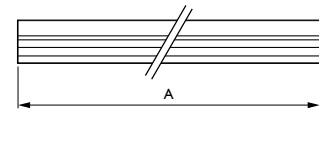
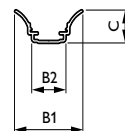
Mounting profile 45° for LDM 424

Dimensions

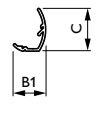
	Dimensions (mm)			
	A1	B1	B2	C
Mounting profile	1650	55,2	27,6	24,3
Mounting profile 45°	1200	33		44



Mounting profile



Mounting profile 45°



Ordering details

Affinium LED display modules Vision Plus LDM 400

Vision Plus	Light color	Minimum order Quantity (per box)	Ordering code EOC 87279009	Dimensions (mm)			Weight kg
				l	w	h	
1500 mm length							
Vision Plus LDM400 1500mm (59") center CW	cool white	6	1099500	1530	120	70	4,8
Vision Plus LDM400 1500mm (59") side CW	cool white	6	1100800	1530	120	70	4,8
Vision Plus LDM400 1500mm (59") center NW	neutral white	6	1097100	1530	120	70	4,8
Vision Plus LDM400 1500mm (59") side NW	neutral white	6	1098800	1530	120	70	4,8
1700 mm length							
Vision Plus LDM400 1700mm (67") center CW	cool white	6	1109100	1730	120	70	5,4
Vision Plus LDM400 1700mm (67") side CW	cool white	6	1110700	1730	120	70	5,4
Vision Plus LDM400 1700mm (67") center NW	neutral white	6	1107700	1730	120	70	5,4
Vision Plus LDM400 1700mm (67") side NW	neutral white	6	1108400	1730	120	70	5,4

Affinium LED display modules Value Plus LDM 400

Value Plus	Light color	Minimum order Quantity (per box)	Ordering code EOC 87279009	Dimensions (mm)			Weight kg
				l	w	h	
1500 mm length							
Value Plus LDM400 1500mm (59") center CW	cool white	6	1103900	1530	120	70	4,8
Value Plus LDM400 1500mm (59") side CW	cool white	6	1104600	1530	120	70	4,8
Value Plus LDM400 1500mm (59") center NW	neutral white	6	1101500	1530	120	70	4,8
Value Plus LDM400 1500mm (59") side NW	neutral white	6	1102200	1530	120	70	4,8
1700 mm length							
Value Plus LDM400 1700mm (67") center CW	cool white	6	1113800	1730	120	70	5,4
Value Plus LDM400 1700mm (67") side CW	cool white	6	1114500	1730	120	70	5,4
Value Plus LDM400 1700mm (67") center NW	neutral white	6	1111400	1730	120	70	5,4
Value Plus LDM400 1700mm (67") side NW	neutral white	6	1112100	1730	120	70	5,4

Affinium LED display modules Value Plus LDM 410 half-height

Vision Plus	Light color	Minimum order Quantity (per box)	Ordering code EOC	Dimensions (mm)			Weight kg
				l	w	h	
600 mm length							
Value Plus LDM410 600mm (24") center CW	cool White	6	1066700	630	120	70	2,2
Value Plus LDM410 600mm (24") side CW	cool White	6	1067400	630	120	70	2,2
Value Plus LDM410 600mm (24") center NW	neutral White	6	1064300	630	120	70	2,2
Value Plus LDM410 600mm (24") side NW	neutral White	6	1065000	630	120	70	2,2
750 mm length							
Value Plus LDM410 750mm (30") center CW	cool White	6	1070400	780	120	70	2,6
Value Plus LDM410 750mm (30") side CW	cool White	6	1071100	780	120	70	2,6
Value Plus LDM410 750mm (30") center NW	neutral White	6	1068100	780	120	70	2,6
Value Plus LDM410 750mm (30") side NW	neutral White	6	1069800	780	120	70	2,6

Affinium LED display modules Value Plus LDM 424

Value Plus	Light color	Quantity per box	Ordering code EOC	Dimensions (mm)			Weight kg
				l	w	h	
900 mm length							
Value Plus LDM424 900mm (35") CW	cool white	6	1083400	900	34	22	3,1
Value Plus LDM424 900mm (35") NW	neutral white	6	1082700	900	34	22	3,1
1150 mm length							
Value Plus LDM424 1150mm (45") CW	cool white	6	1090200	1150	34	22	3,8
Value Plus LDM424 1150mm (45") NW	neutral white	6	1089600	1150	34	22	3,8

Accessories: Mounting profiles for LDM 400 and 410

	Minimum order	Ordering code EOC	Dimensions (mm)			Weight
	Quantity	87279008	l	w	h	kg
600 mm length						
Glare-free mounting profile center (CTR) 600mm	12	2739900	930	130	70	1,3
Glare-free mounting profile side (SD) 600mm	12	2752800	930	130	70	1,4
Mounting profile 600mm	12	2756600	930	130	70	1,6
750 mm length						
Glare-free mounting profile center (CTR) 750mm	12	2749800	930	130	70	1,5
Glare-free mounting profile side (SD) 750mm	12	2753500	930	130	70	1,6
Mounting profile 750mm	12	2757300	930	130	70	2,1
1500 mm length						
Glare-free mounting profile center (CTR) 1500mm	12	2760300	1530	130	70	3
Glare-free mounting profile side (SD) 1500mm	12	2761000	1530	130	70	3,1
Mounting profile 1500mm	12	2763400	1530	130	70	4
1700 mm length						
Glare-free mounting profile center (CTR) 1700mm	12	2764100	1730	130	70	3,2
Glare-free mounting profile side (SD) 1700mm	12	2765800	1730	130	70	3,4
Mounting profile 1700mm	12	2766500	1730	130	70	4,5

Accessories: Mounting profiles for LDM 424

	Minimum order	Ordering code EOC	Dimensions (mm)			Weight
	Quantity	87279008	l	w	h	kg
900 mm length						
Mounting profile	24	1083400	950	34	28	15
Mounting profile 45°	24	1082700	950	33	14	44
1150 mm length						
Mounting profile	24	1090200	1200	34	28	15
Mounting profile 45°	24	1089600	1200	33	14	44

ES cap - No. 1 - C1 - 0-30 mm*

Available from supplier Tyco at www.tyco.com

*To isolate non-used cables.

LED power driver

Type	Quantity	Ordering code EOC
	per packing	87115009
LED Power Driver 100W-24V	10	11964 30

Packaging details

Affinium LED display modules Vision Plus LDM 400

Vision Plus	Quantity per box	Dimensions (mm)			Weight gross kg
		l	w	h	
1500 mm length					
Vision Plus LDM400 1500mm (59") center CW	6	1530	120	70	4,8
Vision Plus LDM400 1500mm (59") side CW	6	1530	120	70	4,8
Vision Plus LDM400 1500mm (59") center NW	6	1530	120	70	4,8
Vision Plus LDM400 1500mm (59") side NW	6	1530	120	70	4,8
1700 mm length					
Vision Plus LDM400 1700mm (67") center CW	6	1730	120	70	5,4
Vision Plus LDM400 1700mm (67") side CW	6	1730	120	70	5,4
Vision Plus LDM400 1700mm (67") center NW	6	1730	120	70	5,4
Vision Plus LDM400 1700mm (67") side NW	6	1730	120	70	5,4

Affinium LED display modules Value Plus LDM 400

Value Plus	Quantity per box	Dimensions (mm)			Weight gross kg
		l	w	h	
1500 mm length					
Value Plus LDM400 1500mm (59") center CW	6	1530	120	70	4,8
Value Plus LDM400 1500mm (59") side CW	6	1530	120	70	4,8
Value Plus LDM400 1500mm (59") center NW	6	1530	120	70	4,8
Value Plus LDM400 1500mm (59") side NW	6	1530	120	70	4,8
1700 mm length					
Value Plus LDM400 1700mm (67") center CW	6	1730	120	70	5,4
Value Plus LDM400 1700mm (67") side CW	6	1730	120	70	5,4
Value Plus LDM400 1700mm (67") center NW	6	1730	120	70	5,4
Value Plus LDM400 1700mm (67") side NW	6	1730	120	70	5,4

Affinium LED display modules Value Plus LDM 410

Value Plus	Single packaging	Quantity per box	Dimensions (mm)			Weight gross kg
			l	w	h	
600 mm length						
Value Plus LDM410 600mm (24") center NW	6	120	630	120	70	2,2
Value Plus LDM410 600mm (24") side NW	6	120	630	120	70	2,2
Value Plus LDM410 600mm (24") center CW	6	120	630	120	70	2,2
Value Plus LDM410 600mm (24") side CW	6	120	630	120	70	2,2
750 mm length						
Value Plus LDM410 750mm (30") center NW	6	120	780	120	70	2,6
Value Plus LDM410 750mm (30") side NW	6	120	780	120	70	2,6
Value Plus LDM410 750mm (30") center CW	6	120	780	120	70	2,6
Value Plus LDM410 750mm (30") side CW	6	120	780	120	70	2,6

Affinium LED display modules Value Plus LDM 424

Single packaging dimensions	Quantity per box	Dimensions (mm)			Weight gross kg
		l	w	h	
900 mm length					
Value Plus LDM424 900mm (35") CW	120	930	120	70	3,1
Value Plus LDM424 900mm (35") NW	120	930	120	70	3,1
1150 mm length					
Value Plus LDM424 1150mm (45") CW	120	1180	120	70	3,8
Value Plus LDM424 1150mm (45") NW	120	1180	120	70	3,8

Accessories: Mounting profiles for LDM 400 and 410

	Quantity	Dimensions (mm)			Weight gross
	per box	l	w	h	kg
1500 mm length					
Glare-free mounting profile center 1500mm	72	1530	130	70	2,3
Glare-free mounting profile side 1500mm	72	1530	130	70	2,4
Mounting profile 1500mm	72	1530	130	70	1,6
1700 mm length					
Glare-free mounting profile center 1700mm	72	1730	130	70	2,6
Glare-free mounting profile side 1700mm	72	1730	130	70	2,7
Mounting profile 1700mm	72	1730	130	70	1,8

Accessories: Mounting profiles for LDM 424

Single packaging dimensions	Quantity	Dimensions (mm)			Weight gross
	per box	l	w	h	kg
900 mm length					
Mounting profile	???	950	34	28	???
Mounting profile 45°	???	950	33	14	???
1150 mm length					
Mounting profile	???	1200	34	28	???
Mounting profile 45°	???	1200	33	14	???

LED power driver

Single packaging dimensions	Quantity	Dimensions (mm)			Weight gross
	per box	l	w	h	kg
LED Power Driver 100 W-24 V	10	300	299	89	6,6

Pallet information	Quantity per pallet	Dimensions pallet (mm)			Stacking pattern (mm)		
		l	w	h	l	w	h
LED Power Driver 100 W-24 V	3240	1200	820	125	900	598	801

* Please contact your Philips representative for the most up-to-date range.



© 2010 Royal Philips Electronics N.V.

All rights reserved. Reproduction in whole or in part is prohibited without the prior written consent of the copyright owner. The information presented in this document does not form part of any quotation or contract, is believed to be accurate and reliable and may be changed without notice. No liability will be accepted by the publisher for any consequence of its use. Publication thereof does not convey nor imply any license under patent or other industrial or intellectual property rights.

Document order number: 3222 635 68234
07/2010

www.philips.com/ledrefrigeration